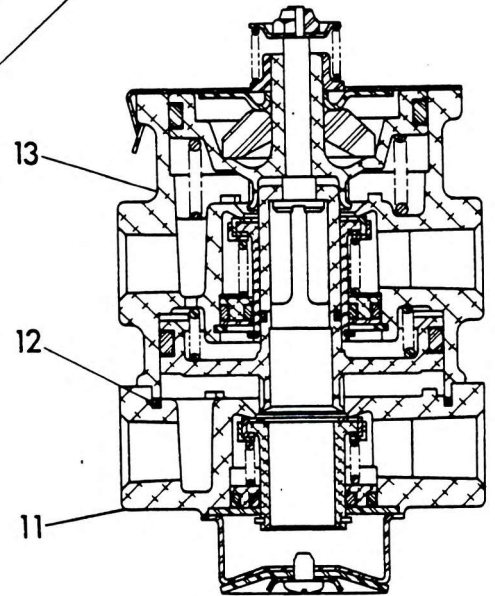
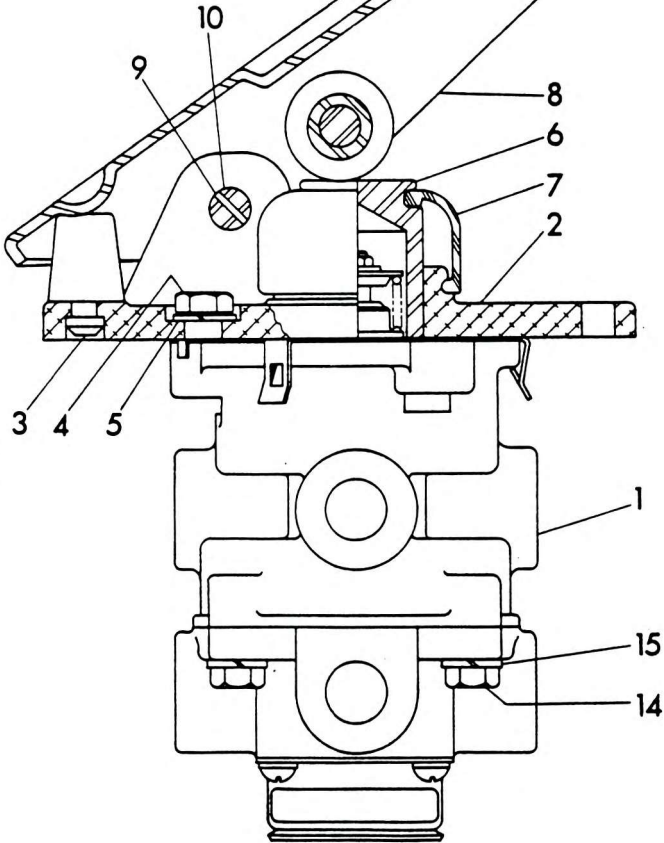
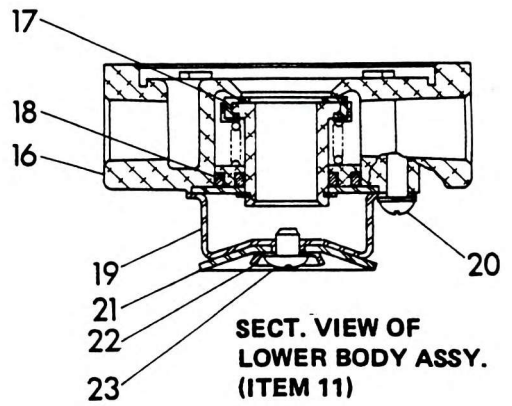


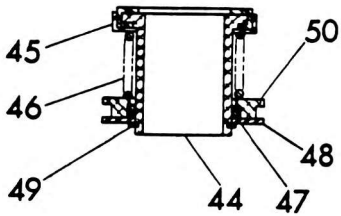
**SECT. VIEW OF INLET & EXHAUST VALVE ASSY. (UPPER BODY, ITEM 25)**



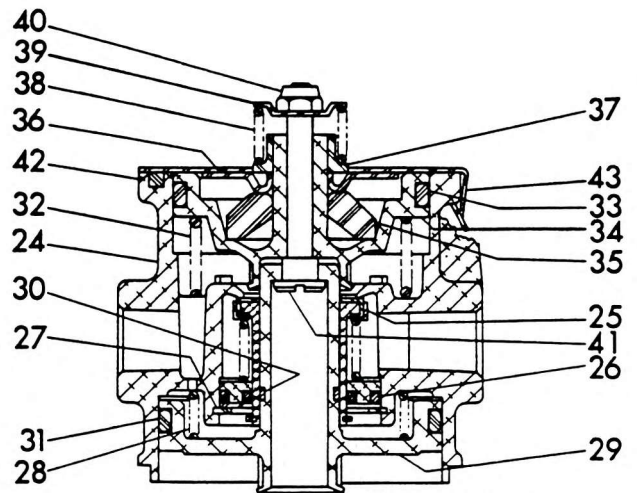
**SECT. VIEW OF BRAKE VALVE (ITEM 1)**



**SECT. VIEW OF LOWER BODY ASSY. (ITEM 11)**



**SECT. VIEW OF INLET & EXHAUST VALVE ASSY. (LOWER BODY, ITEM 17)**



**SECT. VIEW OF UPPER BODY ASSY. (ITEM 13)**